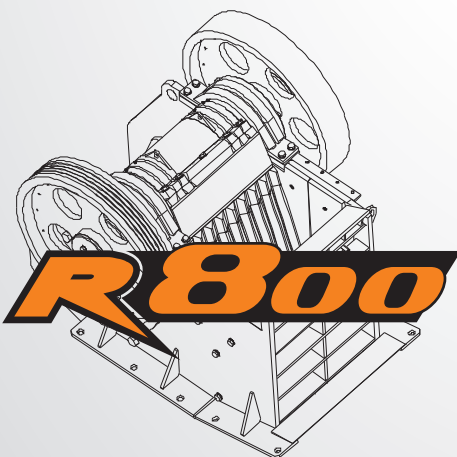


Product description

Mobile track mounted Jaw crusher R800



www.rockster.at

Application Areas of R800

Flexible, powerful and reliable

Due to limited disposal possibilities, rising landfill site tipping costs, and the ever increasing shortage of raw material, an **improved nonpolluting** solution is required.

Consequently recycling and the reprocessing of construction debris nowadays get more and more important.

The **mobile track mounted Jaw crusher R800** of Rockster is the ideal solution for any applications which demand highest requirements to the wear parts. Beside recycling in Construction and Demolition (C&D) recycling, this robust crusher can perform on the toughest of aggregates in the hardest and most abrasive of conditions.

The R800 is the optimal solution for recycling and crushing procedures of:

concrete



rubble



Bricks

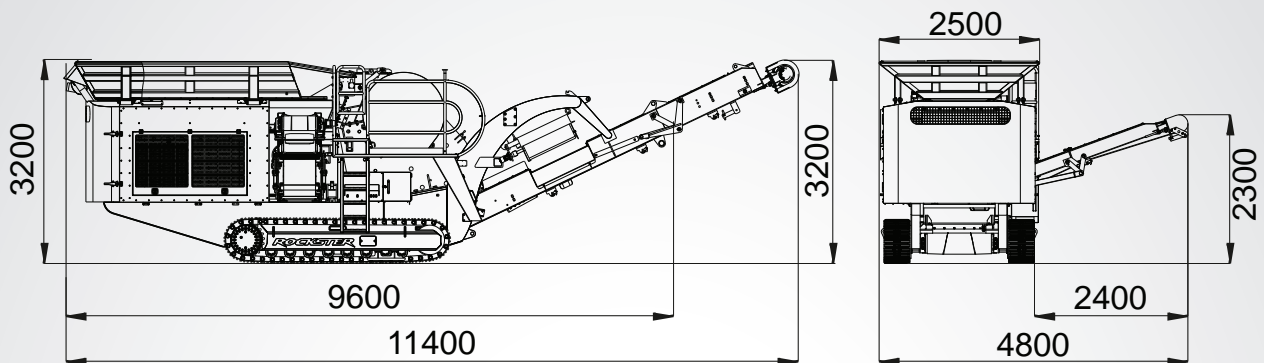


Virgin stone



The result:
perfect final grain

Main dimensions:



Transport dimensions:

Length: 9600 mm
Width: 2500 mm
Height: 3200 mm

Transport weight: 25,7 t

Feeding height:

3200 mm

Discharge height:

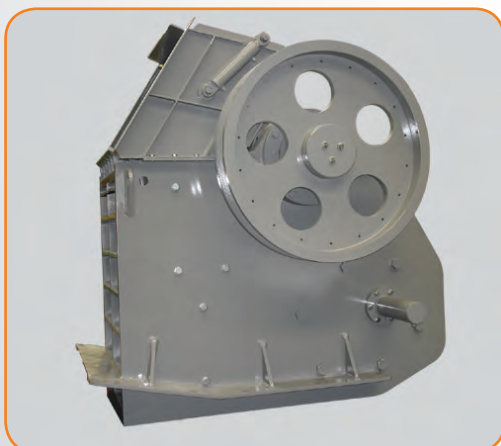
Main discharge belt: 3200 mm
Side discharge belt: 2300 mm

Technical Details

Maximum flexibility

The **hydraulic Jaw crusher R800** is driven through a powerful, electronic controlled **CAT-engine**, the crusher itself is driven via a hydrostatic motor, and the **gap adjustment is hydraulically** governed. The material is fed over a vibrating channel.

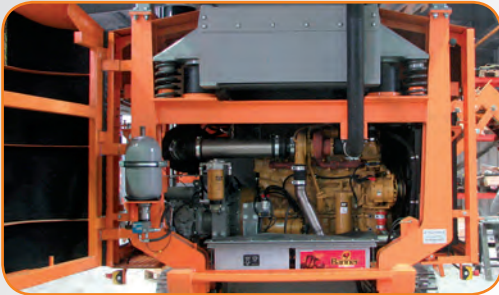
The „grizzly“-section - situated at the end of the vibrating channel - is **fully interchangeable** and guarantees reliable pre-screening of the material. This material falls into an adjustable bypass-chute allowing the discharge to the main or side conveyor belt.



Jaw crusher

Inlet opening: 800 x 500 mm
Crushing ratio: 1:8
Gap adjustment: hydraulic
Performance: up to 120 t/h
Weight: 8000 kg
Drive: hydrostatic
Speed adjustable: 0 - 320 rpm
Free discharge height: 420 mm

Technical Details



The drive system is located at the rear of the machine, enclosed in a sound-proofed housing. For maintenance and service purposes the casing can be opened completely on all sides.

The hydraulic pump for all auxiliary drives (main discharge belt, side discharge belt, vibration channel, crawler gear...) as well as the pump for the hydrostat

Drive:

Motor:	CAT C7
electronically regulated	
Power:	187 kW
Cylinder:	6
Cooling system:	water

are driven via a distributing gear unit which is flange-mounted on the drive motor.

The hydrostat activates the crusher via a V-belt drive.

Advantages of the hydrostatic drive:

- Individually **adjustment of crusher speed**
- Adjustment of rotating direction
- the usual **clutch is replaced**



Feed hopper:

Feature:	Hardox 400
Volume:	4 m ³
Feeding Length:	3800 mm
Feeding width:	2500 mm
Feeding height:	3200 mm



Vibration channel with pre-screening:

Feature:	Hardox 400
Length pre-screening:	1200 mm
Width:	900 mm
Gap width:	ZigZag 35 mm
Drive:	hydraulic infinitely variable



Bypass:

The switchable chute (Bypass) allows the discharge of the pre-screened material on the side or main discharge belt.

Easy switch via hand gear - **no special assembly necessary!**

Technical Details



Main discharge belt:

Belt width:	1000 mm
Discharge height:	3200 mm
Angle:	26°
Drive:	hydraulically, infinitely variable
For transport the main discharge belt is foldable hydraulically.	



Side discharge belt:

Belt width:	500 mm
Discharge height:	2300 mm
Angle:	20°
Drive:	hydraulically
For transport the side discharge belt is foldable hydraulically.	



Magnetic separator:

Type:	Permanent magnet
Belt width:	750 mm
Wheel base:	1700 mm
Weight:	1200 kg
Drive:	hydraulically
Discharge on both sides	



Caterpillar crawler:

Tread width:	400 mm, slanted
Wheel base:	2900 mm
Surface:	triple ribbed pads
Climb:	34°
Drive:	2-speed hydraulic



Control panel:

Central Control/Operating unit ensures an easy operation and machine monitoring. Remote control for One-Man-Operation.

Special features



Environmental Compatibility:

Reduction of emissions through:

- efficient dust suppression and
- sound-proofed housing



Expandibility: Duplex System

Due to the identically driving system of the Rockster R800 and R900 (Jaw crusher and Impact crusher) the crushing units of these models are interchangeable on the same base frame.

The result:

one machine - versatile applications



Easy service & ideal accessibility:

The large-scale covers allow for an optimal accessibility for service and maintenance and furthermore ensure the optimal ventilation of the drive-unit and the cooler.



Options:



water pump



central lubrication



sound protection cover

Option: Screening system RS83 + RB75



Defined final grain in one workflow:

The optional screening system - consisting of the compact circular vibrating screen RS83 in combination with the return belt RB75 - is the perfect addition for the track-mounted R900 and R800 (Impact crusher and Jaw crusher) for the production of 100 % defined final grain. The components are mounted directly on the main discharge belt and are driven through the additional hydraulic system of the crushing plant.



Technical Details:

Screen size: 1800 x 1200 mm
Standard screen: 34 mm
Special screens on demand.
Output: up to 220 t/h

Discharge conveyor final grain:

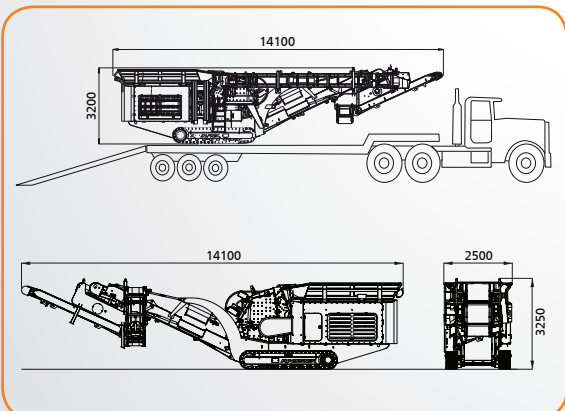
Discharge height: 3100 mm
Belt width: 800 mm

Discharge conveyor oversize grain:

Discharge height: 1900 mm
Belt width: 500 mm

Return belt oversize grain RB75:

Belt width: 400 mm



Transport dimensions R800 + RS83 + RB75:

Length: 14100 mm
Width: 2500 mm
Height: 3250 mm
Total weight: 28,7 t

General Information

The company

The company **Kormann Rockster Recycler GmbH** specializes in the development and production of mobile crushing and screening systems. The „Rockster Team“ consists exclusively of long-time market insiders, each bringing **years of experience** into perfecting the Rockster design concept, as well as being personally available to share their expertise with customers.

Customer orientation and maximum customer care is the ultimate ambition of all Rockster products and services.

The key criteria specified by Rockster are **maximum performance** and **quality**, operating and maintenance friendliness as well as smooth transportation due to **compact dimensions** and low weight.

Das ROCKSTER Concept

Reliability - maximum reliability due to highest product quality, full hydraulics and minimum electronics.

Operating efficiency - highest efficiency due to problem-free transport (no special permits), simple maintenance and handling.

Capacity - highest capacity due to high speed rotor and enormous power reserves for the drives.

Knowledge - Realization of practical experience of many years in a progressive machine concept.

Service - 24/7 service for rapid support for problems as well as immediate availability of all spare and wearing parts.

Technology - Production of high-quality crushing product due to optimal organization of the crushing procedure. The use of exclusively long time approved market components guarantees highest technical standard.

Environment friendly - Fulfilment of highest environmental standards due to installation of low-pollution engines as well as complex acoustic insulation.

Revenue - Shortest amortization due to small investment and operating costs. Unique possibility of additional increase of machine efficiency due to the Rockster Duplex-System.



www.rockster.at